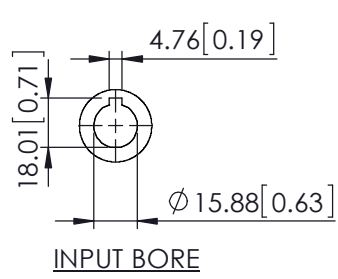
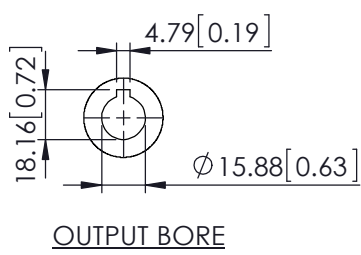
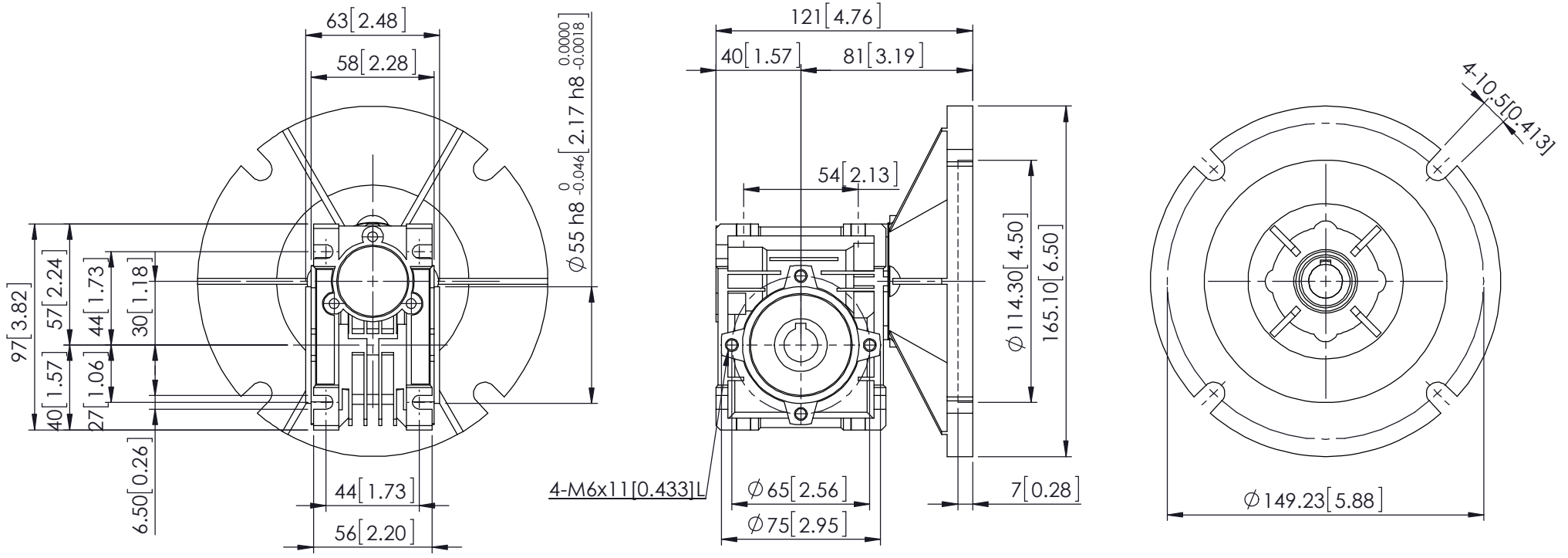


A
B
C
D
E
F

1 2 3 4 5 6 7



NO.	PART NO.	MATERIAL	PC	RAW MATERIAL	WEIGHT	NOTE
SCABBLE TOLERANCE						
>0	± 0.1					
>6	± 0.2					
>30	± 0.3					
>120	± 0.5					
>315	± 0.8					
MACHINING REQUIRED						
~	NO-MACHINING					
▽	50S					
▽▽	25S					
▽▽▽	6S					
ANG. TOLERANCE ±0.5						
DWG. 2020.04.20		CHUN-YA		WORLD WIDE		
DESN.						
APPR.						
DATE		NAME		TITLE CALM30-56C		
SCALE 1:2.75		DWG. NO.		CALM30-56C		
		REV.		A		

NO.	SECTION	ORIGIN	MODIFICATION	DATE	IN CHARGE